

synoris - garage door operators 550/800 N



Quieter than a belt drive, stronger than a chain drive brought together in one state of the art garage door operator

features:

- Unique garage door operator based on a powerful 24 V DC-motor in a modern design
- fully automatic force adjustment, no potentiometer needed
- operator movement controlled using a supervised safety microcontroller system
- soft start, soft stop, provides quiet reliable door operator
- bright light with max. 2 x 60 W
- internal sensitive obstacle detection
- terminal connectors for photo eyes / start button / multifunctional wallstation
- interface for unique TorMinal programming tool. Professional fine tuning facility
- multi-channel radio receiver
- easy to fit accessories

technology:

The system with the travelling motor is unique and patented worldwide. There is no moving chain or tooth belt and thus there are no wear parts like deflection pulleys.

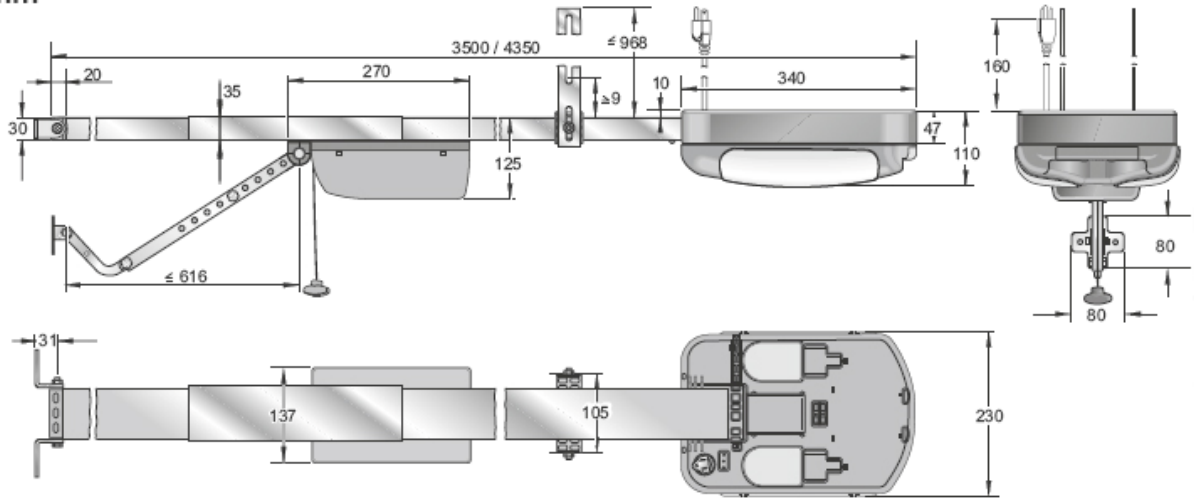
This system **doesn't** know any gear damages.

The motor is self-locking and can be disengaged or locked in any position.

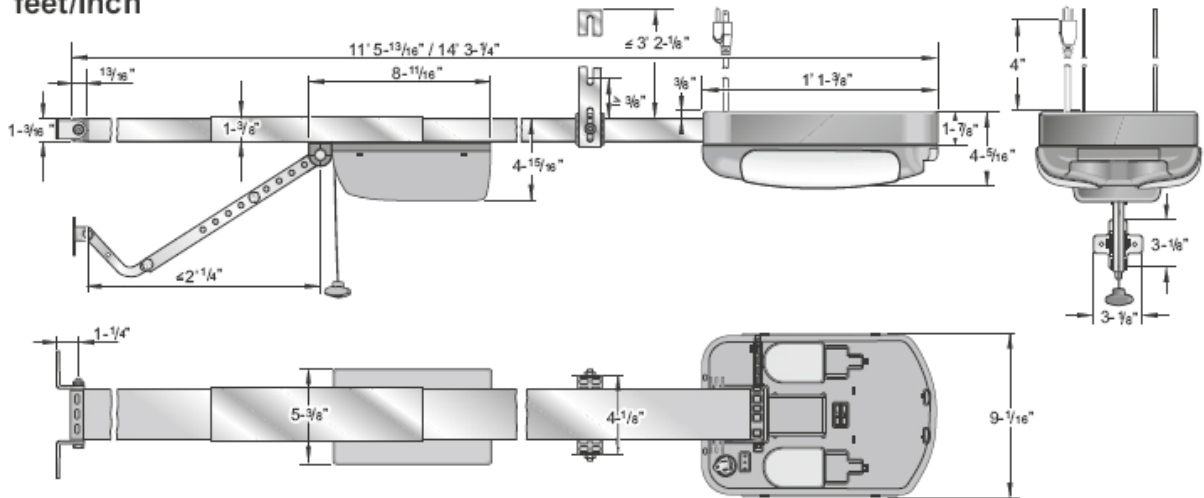


Dimensions

mm



feet/inch



Technical data

	synoris 550	synoris 800
Running time	maximum 30 seconds	
Supply voltage	AC 120 V	
Rated frequency	50/60 Hz	
Storage locations in the radio receiver	20	
Lighting	2 x maximum 60 W, standard bulb (not included in the package)	
Battery in the transmitter	Type CR 2032, 3 V	
Operational temperature range:	-4 °F to +122 °F (-20 °C to +50 °C)	
Protection system	IP 20	
Working environment based emission value	< 75 dBA – operator only	
Max. pulling and pushing force	550 N	800 N
Rated pulling force	165 N	240 N
Rated current consumption*	1.4 A	1.6 A
Rated power consumption*	150 W	160 W
Max. speed**	5.9 in/s (150 mm/s)	5.1 in/s (130 mm/s)
Power consumption Standby	approx. 6 W	